

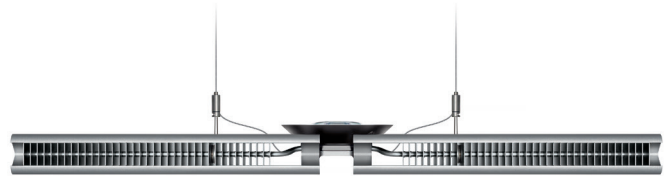
## TECHNICAL SPECIFICATION

Cu-Beam™ suspended lights provide powerful light, precisely where you need it. Heat pipe technology creates a highly effective cooling system, meaning each light can use a single high-power, high-efficiency chip on board LED. This single light source, combined with a custom-designed PMMA lens, delivers optically efficient, precisely controlled illumination.

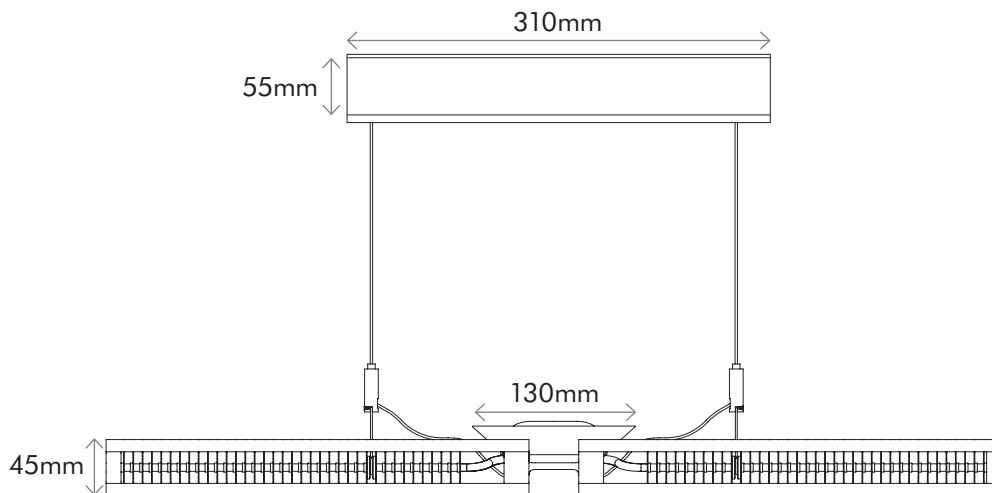
The cooling system also prolongs the life of the LED, ensuring long-lasting performance and colour stability. The luminaire is supplied with a customized DALI driver, with additional heat sinks and high-grade-capacitors.

**To specify, state:**

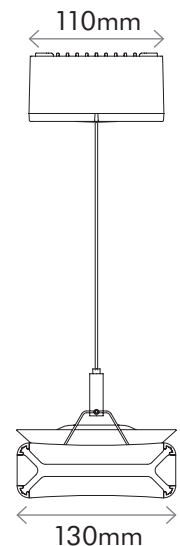
Sleek suspended luminaire with single high efficiency chip on board LED CRI 80min 2 step binning – cooled via sintered copper heat pipes. Unique toroidal optic with ultra-wide 160° distribution for shallow mounting height. Wide and even distribution of light across the ceiling for even ambient lighting. Power over suspension cable DALI driver.



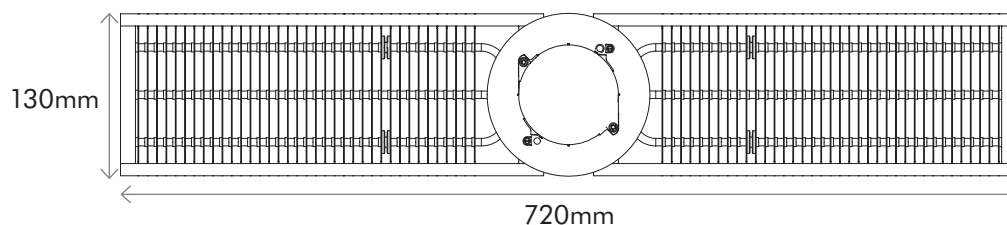
### FRONT ELEVATION



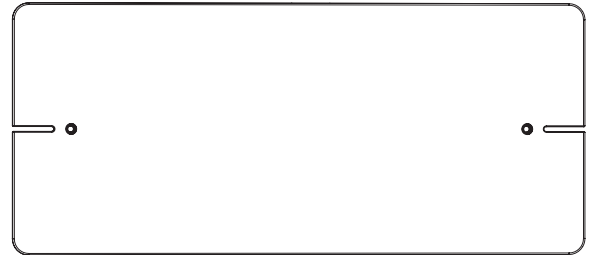
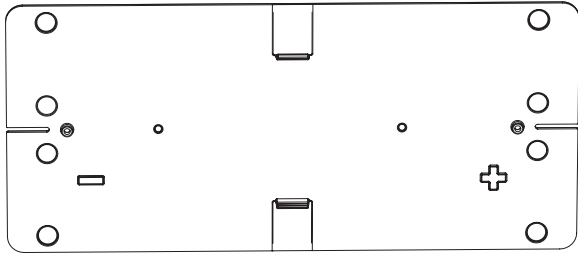
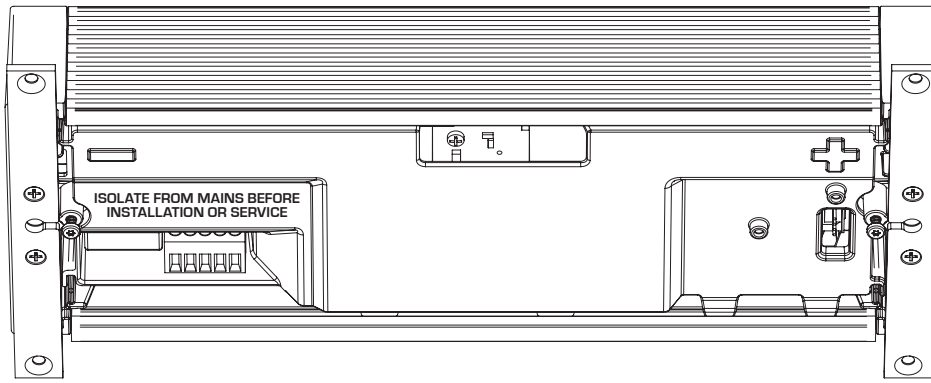
### SIDE ELEVATION



### TOP ELEVATION



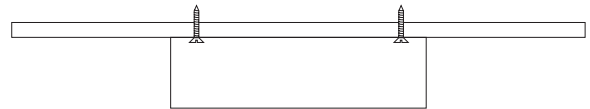
## DRIVER BOX



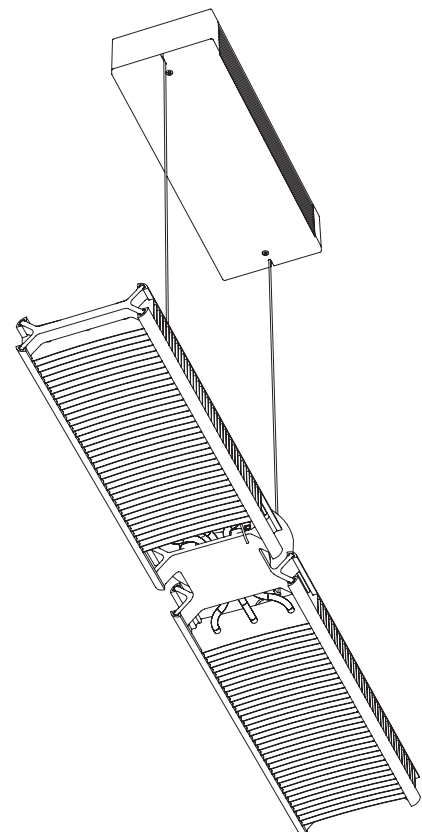
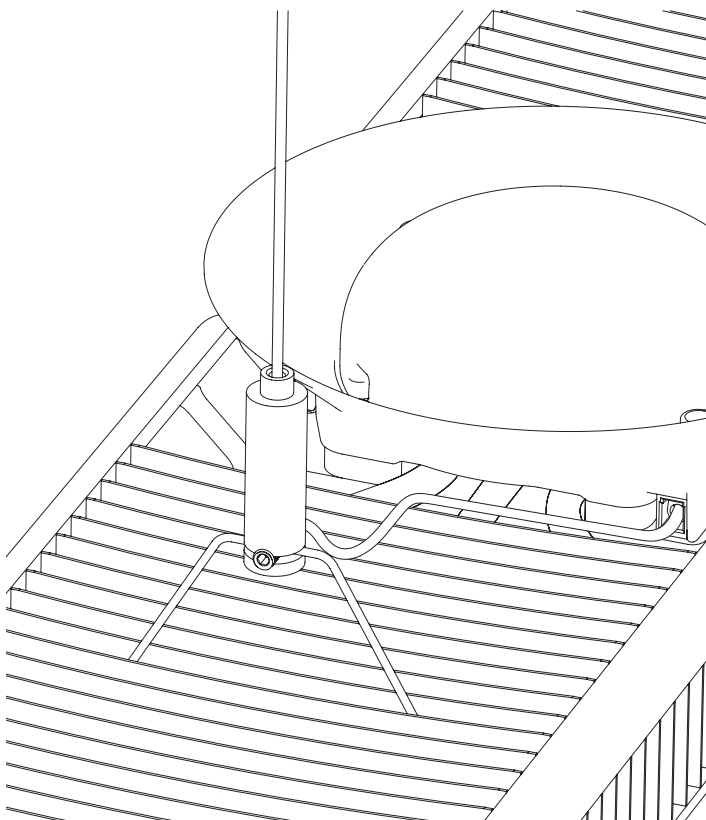
## RECESS FIXING



## SURFACE FIXING



## BRACKETS, CABLE GRABS AND DUAL-PURPOSE CABLE



## Installation

Pendant. System complete with power supply base and  
L = 4000mm Cable

Mounting: Ceiling pendant

Environment: Indoor

Complies with: IEC/EN 62471 (Including national deviations),  
IEC/EN 60598-1 (Including national deviations),  
IEC/EN 60598-2-1 (Including national deviations),  
IEC 61347-1, IEC 61347-2-13, IEC 62031, UL 1598,  
SAC GB 7000-1, SAC GB 7000-201, SAC GB 7000-202,  
M.I.T.I - Appendix 8 (1993), JIS C8105-1, JIS C8105-2-4

## Electrical

Input voltage / Frequency: 100-240V, 50/60Hz

Control signal voltage: 0-16 V (0-16 V DC DALI)

Rated power: 85W

Standby power consumption: 0.5W

Driver / Power unit / Transformer: PSD  
(Power supply unit with DALI interface) Universal

Driver included: Yes

Embedded control: No

Dimmable: DALI

Minimum dim level: 10%

Suitable for random switching: Yes (relate to presence /  
movement detection and daylight harvesting)

Wiring: Product complete with electronic components

Glow-wire test: 850/5 (Temperature 850°C, duration 5s)

## Optical

Light source: Chip on board LED

Number of light source: 1

Light source replaceable: No

3000K Fixture light output: 7570

4000K Fixture light output: 7800

3000K Luminous efficacy: 89lm/W

4000K Luminous efficacy: 92lm/W

LED L70: 180,000hrs

Colour temperature: 3000K / 4000K  
(custom option on request)

CRI: 80 minimum

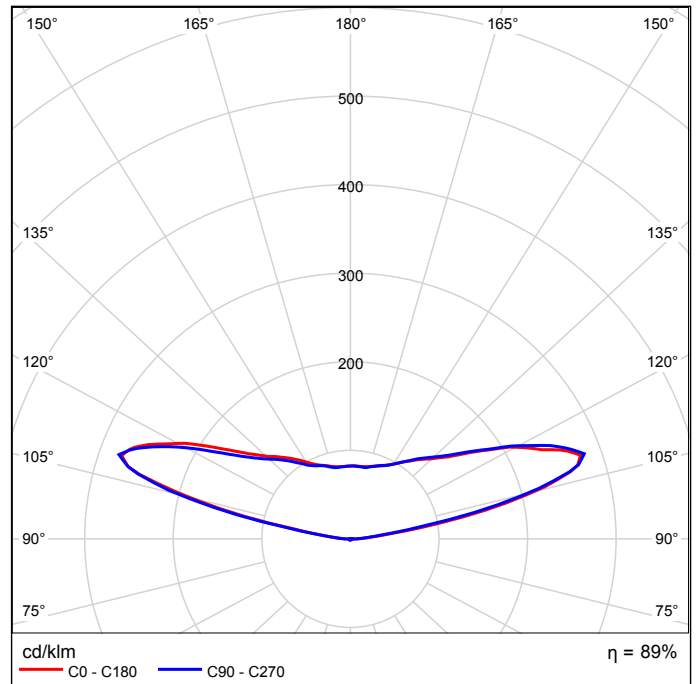
Beam angle: 160°

IP rating: 20 indoor use only

LED binning: 2 step (ANSI)

Operating temperature range: 0°C - 40°C or Application  
conditions, Average ambient temperature T25 (+25°C)

## Polar plot



## Construction

Housing materials: Aluminium / Copper / Polycarbonate

Optical lens materials: PMMA (Acrylic)

## Operation

DALI dimming

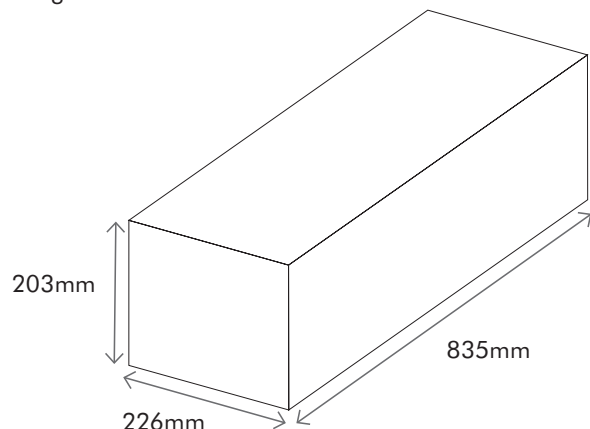
## Logistics

Net (fixture) weight: 2.9kg

Luminaire weight: 1.6kg

Packaged weight: 4.8kg

Packaged dimensions:



## Standard guarantee

5 years